

# FITTING TeleSeal BEFORE NEW TILING

**IMPORTANT!** Please read these instructions prior to and during fitting. Avoid bending the assembled seal strips before cutting to length.

- Remove all traces of old sealant with a sharp blade & a proprietary silicone remover. Clean fixing surfaces, both old and new, with water and detergent to remove any traces of grease or protective wrapping release agent, then rinse and dry. **DO NOT FILL THE BATH PRIOR TO FITTING TELESEAL.**  
**This product should be fitted in one continuous operation.**
- Carefully measure the wall or cubical lengths to be sealed. Mark on the top edge of the TeleSeal strip assemblies. ....See **Drg.1**
- TeleSeal is profiled to fit flat- topped rims. If the bath or shower rim slopes away from the wall – See **Fitting Tips below.**
- With the seal assemblies laid straight, cut to length with a deep, fine toothed saw in a sawing block, square or mitred as required.....**Drg.2** Use a sharp blade to remove any cut burrs and **beware of the sharp ends.**
- Note the seal assembly, then separate the three strips in each length using a screwdriver to start and then by pulling them apart. ....**Drg.3**
- Assembling the corners.** Ensure 15 to 20mm of the rib on the grey strip is trimmed flush at all mitred corner ends. ....**Drg.4**
- Join mitred ends of grey strips 'A' and of strips 'B' using numbered corner tabs and the small tube of solvent adhesive in the poly bag. Hold nozzle downward before opening, as the tube is only part filled. Allow 5 minutes to bond. ....**Drg.5**

## FIXING BELOW NEW TILES

- Apply tile adhesive to the sealed or wetted wall just above the bath /shower rim and bed Strip 'A' into it with its lower edge approx 3-5mm above the rim. Remove any tile adhesive from the outer face. Check the strips run straight. If fixing TeleSeal to plaster board etc. it should be sealed with PVA adhesive in accordance with the makers instructions and then TeleSeal Adhesive used as described in instruction 9 overleaf. ....**Drg. 6**
- Take the guide ring from the tabs moulding set. Push the guide ring approx 20mm onto Sealing Adhesive can nozzle. See Sealing Adhesive instructions to operate.
- Using the nozzle guide running against the grey strip 'A', apply a **continuous** 4mm bead of Sealing Adhesive onto the rim, its centre being 6mm from the the flat face of grey strip 'A'. Do not apply excess adhesive, which may otherwise result in bond failure of the front edge of strips 'B' to the rim. ....**Drg.7**
- Peel and fold back 50mm of the blue release film from each end of strips 'B' so they protrude in front of the strip. Starting at a corner, align and press the 'B' strips back against strip 'A' and then down onto the rim. Carefully pull the blue film from under strips 'B' and follow by approx. 200mm pressing the front of strips 'B' firmly down onto the rim to fix it. ....**Drg.8**  
**Note!** The blue-filmed tack adhesive serves to form a primary seal and to hold the seal assembly in place whilst the main Sealing Adhesive cures.
- Using the small tube of solvent adhesive, apply a neat, proud run to seal along each mitre joint of strips 'B'. The adhesive will shrink as it dries. ....**Drg.9**
- Ease the grey strip 'A' down the wall until it rests on the top of strip 'B' ....**Drg.10**
- Position, and press to clip only the corner ends of strips 'C' onto strips 'A' and slide them equally into the corners to form a neat butt joint. ....**Drg.11** Now press horizontally along the strips 'C' to clip fully into place. Apply a slightly proud run of solvent adhesive to the mitred joints of strip 'C', without gluing them to 'B'.
- If required, fit the end caps as shown. See **FITTING TIPS BELOW**.....**Drg.12**
- Commence fitting tiles as normal but allow a 2mm clear gap between the top of the seal and the bottom row of tiles. When the tiles have set, fill and seal the gap with a continuous run of TeleSeal Sealing Adhesive. Remove any excess with a damp open weave cloth. Finally, grout the adjacent vertical tile joints to finish.

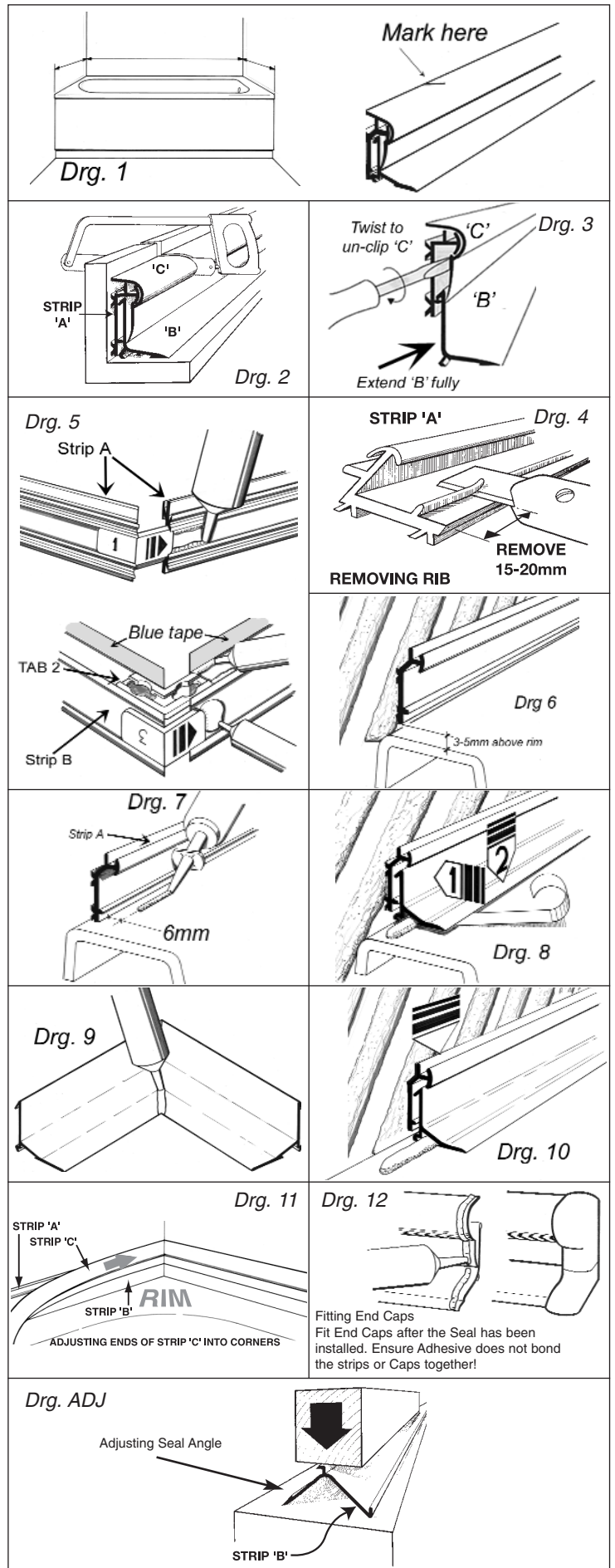
## FITTING TIPS

Do not use the end caps where the seal ends butt against a wall or shower door frame for example. Simply apply a neat run of TeleSeal Sealing Adhesive around the butt joint.

If your bath or shower rim inclines away from the wall you can alter the profile angle of strip 'B' by up to 15 degrees by inverting and pressing on it. ....**Drg.ADJ.**

The seal will have to be re-assembled and the mitred ends re-cut with strip 'B' supported at the new angle.

Allow the seal at least 24 hours before the bath or tray is subjected to weight. In a dry atmosphere extend this period to 48 hours.



**Please Note!** Durability is the key element in TeleSeals design & development. Without control over the products installation or use however, we cannot provide guarantees nor accept responsibility for the failure or damage resulting. This does not affect your statutory rights McComb Developments maintain the right to make modifications or improvements to its products with or without prior notification



**TeleSeal<sup>®</sup>10**  
THE ULTIMATE SEAL

## FITTING TeleSeal ONTO EXISTING TILING

**IMPORTANT!** Please read these instructions prior to and during fitting. Avoid bending the assembled seal strips before cutting to length.

1. Remove all traces of old sealant with a sharp blade & a proprietary silicone remover. Clean fixing surfaces, both old and new, with water and detergent to remove any traces of grease or protective wrapping release agent, then rinse and dry. **DO NOT FILL THE BATH PRIOR TO FITTING TELESEAL.**  
**This product should be fitted in one continuous operation.**
2. Carefully measure the wall or cubical lengths to be sealed. Mark on the top rear edge of the TeleSeal strip assemblies. ....See **Drg. 1**
3. TeleSeal is profiled to fit flat-topped rims. If the bath or shower rim inclines away from the wall – See **Fitting Tips below.**
4. With the seal assemblies laid straight, cut to length with a deep, fine toothed saw in a sawing block, square or mitred as required. ....**Drg. 2**  
Use a sharp blade to remove any cut burrs and **beware of the sharp ends.**
5. Note the seal assembly, then separate the three strips in each length using a screwdriver to start and then by pulling them apart. ....**Drg. 3**
6. **Assembling the corners.** Ensure 15 to 20mm of the rib on the grey strip is trimmed flush at all mitred corner ends. ....**Drg. 4**
7. Join mitred ends of grey strips 'A' and of strips 'B' using numbered corner tabs and small tube of solvent adhesive in the poly bag. Hold nozzle downward after opening, as the tube is only part filled. Allow 5 minutes to bond. ....**Drg. 5**

### FIXING ONTO EXISTING TILES.

8. Take the guide ring from the tabs moulding set.  
Push the guide ring approx 20mm onto the Sealing Adhesive can nozzle. See Sealing Adhesive instructions to operate.
9. Apply a continuous 4mm bead of Sealing Adhesive onto the tiles, or other surface approx. 10mm above the bath or shower rim. Bed grey strip 'A' into the Adhesive, with its lower edge 3 to 5mm above the rim. ....**Drg. 6**
10. Using the nozzle guide running against the grey strip 'A', apply a **continuous** 4mm bead of Sealing Adhesive onto the rim, the centre being 6mm from the face of grey strip 'A'. Do not apply excess adhesive, which may otherwise result in bond failure of the front edge of strip 'B' to the rim. ....**Drg. 7**
11. Peel and fold back 50mm of the blue release film from each end of strips 'B' so they protrude in front of the strip. Starting at a corner, align and press the 'B' strip back against strip 'A' and then down onto the rim. Carefully pull the blue film from under strips 'B' and follow by approx. 200mm pressing the front of strips 'B' firmly down onto the rim to fix it. ....**Drg. 8**  
**Note!** The blue-filmed tack adhesive serves to hold the seal assembly in place whilst the Sealing Adhesive cures.
12. Using the small tube of solvent adhesive, apply a neat, slightly proud run of the adhesive to seal along each mitre joint of strips 'B'. The adhesive will shrink back. ....**Drg. 9**
12. Ease the grey strip 'A' down the wall until it rests on the top of strip 'B'. ....**Drg. 10**
13. Apply a **generous**, inclined, continuous run of Sealing Adhesive into the channel formed between the top of strips 'A' and the face of the tiles. ....**Drg. 11**
14. Position, and press to clip only the corner ends of strips 'C' onto strips 'A' and slide them equally into the corners to form a neat butt joint. ....**Drg. 12**
15. Now press horizontally along the strips 'C' to clip fully into place. Adhesive should exude and be visible along the top of strip 'C'. Check that grout joints and misaligned tiles are sealed, then remove excess Adhesive immediately using a damp open weave cloth. ....**Drg. 13**
17. Apply a slightly proud run of solvent adhesive to the mitred joints of strip 'C', without gluing them to 'B'. If required, fit the end caps as shown. ....**Drg. 14**

### FITTING TIPS

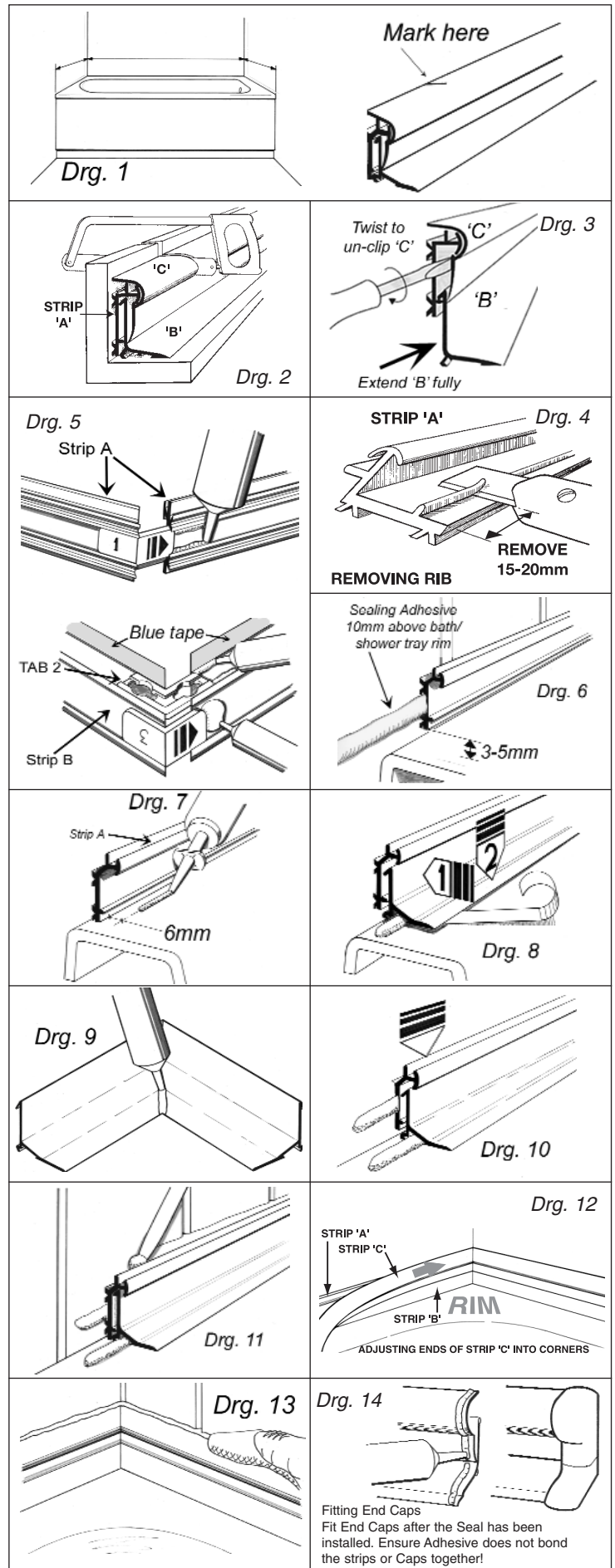
Do not use the end caps where the seal ends butt against a wall or shower door frame for example. Simply apply a neat run of Sealing Adhesive around the butt joint.

If your bath or shower rim inclines away from the wall you can alter the profile angle of strip 'B' by up to 15 degrees by inverting and pressing it. See **Drg. ADG** over leaf.

The seal will have to be re-assembled and the mitred ends re-cut with strip 'B' supported at the new angle.

Allow the seal at least 24 hours before the bath or tray is subject to weight. In a dry atmosphere extend this period to 48 hours.

Clean TeleSeal with mild detergent on a damp sponge. Do not use abrasive cleaners.



**Please Note!** Durability is the key element in TeleSeals design & development. Without control over the products installation or use however, we cannot provide guarantees nor accept responsibility for the failure or damage resulting. This does not affect your statutory rights McComb Developments maintain the right to make modifications or improvements to its products with or without prior notification